

RICOH

Black and white print workhorse



Aficio™ SP 8200DN

A3 power printing

Fast, efficient and built to last

To cope with high print volumes and tight deadlines you need a reliable partner that delivers uncompromised productivity. Designed to meet your diverse needs, the Aficio™SP 8200DN is ideal for large dedicated volumes and everyday print jobs. With a competitive cost per print and excellent versatility, this device offers best-in-class print performance.

- Super-fast printing at 50 ppm.
- Abundant 4,400-sheet paper capacity.
- Straightforward operation and monitoring.
- Unique security capabilities.
- Host printing capability (IPDS option).
- Peak duty cycle of up to 300,000 pages per month.

25^{second}
warm-up time



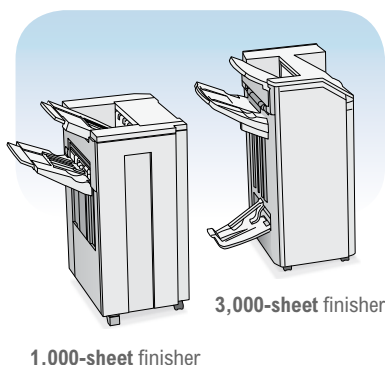
High performance printing

- Save valuable time with 25-second warm-up time and first print speed of 3.5 seconds.
- Quickly process documents at 50 prints per minute.
- Create duplex output at the same speed as simplex output.

Superb productivity

The Aficio™SP 8200DN makes sure you can work without interruptions. With its maximum 4,400-sheet paper capacity including 1,200-sheet large capacity tray*, this print solution reduces the need for frequent refills.

* Only in combination with 2 x 550-sheet paper trays or 2,000-sheet large capacity tray.



1,000-sheet finisher

3,000-sheet finisher

Versatile paper handling

- Excellent support for standard paper: up to 169 g/m². Handles even up to 216 g/m² on specific paper types.
- Wide media variety: plain paper, recycled paper, transparencies, laser printer labels, cards and envelopes.
- Professional document creation with one of the two finishers: first-class 3,000-sheet finisher or budget friendly 1,000-sheet finisher.



Superior networking

The Aficio™SP 8200DN is standard compatible with most host printing environments. With SAP® R/3® and IBM® System i5™ HPT connectivity, barcode and data stream printing are supported. The optional IPDS unit allows you to directly print transactional documents without the need for a print box or server. With the SP 8200DN you can benefit from the latest solutions in decentralised host printing.



Easy to operate & maintain

- No training required: intuitive operation panel.
- Efficient one click printing with icon based interface RPCS™.
- Automatic duplication of current paper tray settings with Web Image Monitor.
- Separation of print jobs, sets or even different pages of the same job with the handy shift sort tray.



Advanced security

- Safeguarding of confidential information through data encryption.
- Authentication & controlled access capabilities.
- Erasing and overwriting of temporary data on HDD (user maintainable).
- Unauthorised copy prevention with watermark protection.



Going for green

We strive for quality in everything we do. Low power consumption and toxic free materials spare the environment at large. Thanks to the green design we recycle all supplies for the Aficio™SP 8200DN. As a sustainable company, we appreciate your effort to return your empty supplies. Please visit www.comet-circle.eu for details.

GENERAL

Technology:	Laser beam scanning, electro photographic printing & dual component toner development	
Continuous print speed:	50 prints per minute (A4)	
Warm-up time:	Less than 25 seconds	
First print speed:	Less than 3.5 seconds	
Dimensions (W x D x H):	670 x 677 x 641 mm	
Weight:	Less than 73 kg	
Power source:	220 - 240 V, 50/60 Hz	
Power consumption:	Maximum:	Less than 1.42 kW
	Energy saver mode:	Less than 7 W
Duty cycle:	300,000 pages per month	

CONTROLLER

Processor:	RM7035C-533L 533 MHz	
Printer languages/resolution:	PCL5e, Adobe® PostScript® 3™: 300 x 300 dpi/600 x 600 dpi	
	PCL6, RPCS™:	600 x 600 dpi
Memory:	Standard:	256 MB
	Maximum:	512 MB
	Hard Disk Drive (optional):	40 GB
Drivers:	PCL5e/PCL6/RPCS™:	Windows® 2000/XP Vista/Server 2003
	Adobe® PostScript® 3™:	Windows® 2000/XP Vista/Server 2003 Macintosh OS 8.6 - 9.2.x (OS X Classic) Macintosh OS X v10.1/10.2/10.3 or later (native mode)
Fonts:	PCL:	35 intelli fonts 10 true type fonts 1 bitmap font 13 fonts (International Font)
	Adobe® PostScript® 3™:	136 fonts
	Option:	OCR Barcode

CONNECTIVITY

Network protocol:	TCP/IP, IPX/SPX, EtherTalk, IPP, RHPP	
Supported networks:	Windows® 2000/XP/Vista/Server 2003 Novell® NetWare® 3.12/3.2/4.1/4.11/5.0/5.1/6/6.5 UNIX Sun® Solaris 2.6/7/8/9 HP-UX 10.x/11.x/11i v1/11i SCO OpenServer 5.0.6 RedHat® Linux 6.x/7.x/8.x/9.x/Enterprise IBM® AIX v4.3 & 5L v5.1/5.2 Macintosh OS 8.6 - 9.2.x (OS X Classic) Macintosh OS X v10.1/10.2/10.3 or later (native mode) SAP® R/3® 3.x or later IBM® System i5™ HPT	
Interface:	Standard:	Ethernet 10 base-T/100 base-TX USB 2.0
	Option:	Bi-directional IEEE 1284 Wireless LAN (IEEE 802.11a/g) Wireless LAN (IEEE 802.11g) Gigabit Ethernet
Additional feature:	PDF Direct Print	

SOFTWARE SOLUTIONS

Standard:	DeskTopBinder™ Lite, SmartDeviceMonitor™ for Admin/Client, Web SmartDeviceMonitor™, Web Image Monitor, Printer utility for Mac, Font Manager 2000	
Option:	Document management utilities & professional software solutions	

PAPER HANDLING

Paper input capacity:	Standard:	2 x 550-sheet paper trays 1 x 100-sheet bypass tray
	Maximum:	4,400 sheets
Paper output capacity:	Standard:	500 sheets face down
Paper size:	Paper trays:	A3 - A5
	Bypass tray:	A3 - A6
Paper weight:	Paper trays ¹ :	60 - 169 g/m ²
	Bypass tray:	52 - 220 g/m ²
	Duplex tray:	60 - 169 g/m ²
Media:	Plain paper, recycled paper, transparencies, laser printer labels, envelopes	

CONSUMABLES

Toner:	Black:	36,000 sheets ²
---------------	--------	----------------------------

OPTIONS

Internal options:	128/256 MB SDRAM DIMM 40 GB Hard Disk Drive Bi-directional IEEE 1284 Wireless LAN (IEEE 802.11a/g) Wireless LAN (IEEE 802.11g) Gigabit Ethernet Data Overwrite Security Unit Data Storage Card IPDS unit VM Card HDD Encryption
External options:	2 x 550-sheet paper trays 2,000-sheet large capacity tray 1,200-sheet large capacity tray 1,000-sheet finisher 3,000-sheet finisher Punch unit (2/3 hole, 2/4 hole, 4 hole) Bridge unit Output jogger

¹ A maximum of 216 g/m² can be handled on specific paper types.

² A4 with 5% coverage.

For availability of models, optional apparatus and software, please consult your local Ricoh supplier.

This product contains NetBSD operating system.



Adobe PostScript 3™



Adobe PDF



Embedded Software Architecture



Printed with Ecolith Ink
with respect for the environment



Our earth, Our tomorrow

ISO9001: 2000 certified
ISO14001 certified

Ricoh has designed this product to meet EC ENERGY STAR guidelines for energy efficiency.

Ricoh believes in conserving the earth's precious natural resources. This brochure is printed on environmentally friendly paper: 50% recycled fibres, 50% chlorine free bleached pulp.

All brand and/or product names are trademarks of their respective owners.

Specifications and external appearance are subject to change without notice. The colour of the actual product may vary from the colour shown in the brochure. The images in this brochure are not real photographs and slight differences in detail might appear.

Copyright © 2008 Ricoh Europe PLC. All rights reserved. This brochure, its contents and/or layout may not be modified and/or adapted, copied in part or in whole and/or incorporated into other works without the prior written permission of Ricoh Europe PLC.

www.ricoh-europe.com